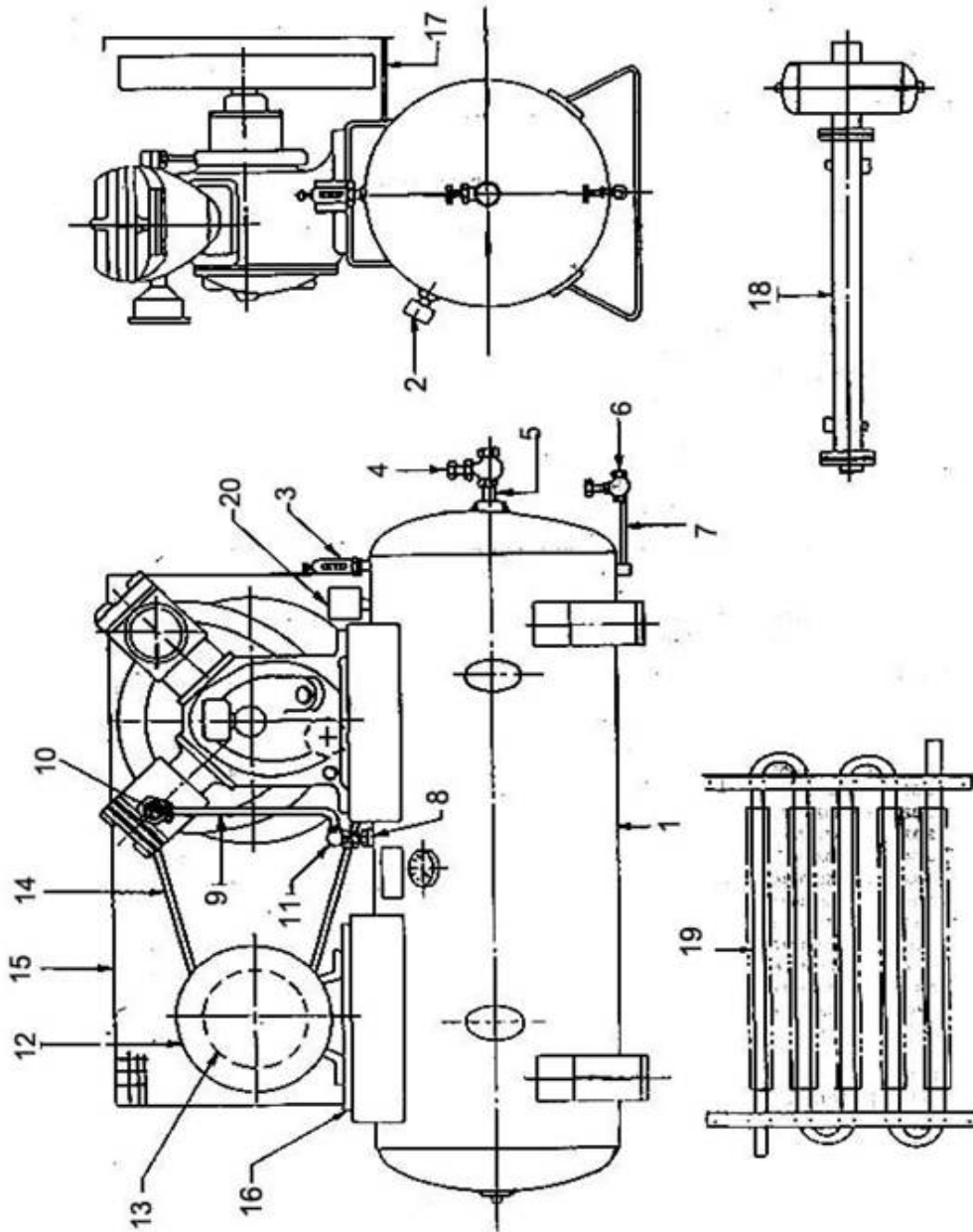


4. Compressor Drive - Air Receiver and Accessories Model 234



All manufacturer's names, numbers, photos, product description and/or part numbers are used for reference purposes only & it is not implied that any part listed is the product of these manufacturers. Since Approvement are made from time to time, the illustration and specifications are subject to change without notice.

4. Compressor Drive - Air Receiver and Accessories Model 234

Ref. No.	Part Number	Description	Unit Per Assly.	Rec. Spares		
				1	2	3
4-1	97056048	Receiver 150 Ltr Max working PR 175	1			
4-1	97056097	Receiver 150 Ltr Max working PR 270	1			
4-1	97056113	Receiver 225 Ltr Max working PR 175	1			
4-1	97056121	Receiver 225 Ltr Max working PR 270	1			
4-2	95736922	Pressure Gauge 0 300 PSIG	1			
4-3	72062078	Safety Valve	1			
4-4	95081048	Service Valve - 1/2"	1			
4-5	95062600	Nipple Pipe - 1/2"	1			
4-6	95081022	Drain Valve - 1/4"	1			
4-7	95736542	Nipple Pipe - 1/4"	1			
4-8	37047773	Check Valve	1			
4-9	97045389	Pipe Discharge 1/2 X 15 1/2"	1			
4-10	95227260	Nut Connector	2			
4-11	95040184	Elbow Tube	2			
4-12	-----	Motor Electric	1			
4-13	97043293RB	Motor Pulley 660 RPM	1			
4-13	97043749RB	Motor Pulley 960 RPM	1			
4-14	92396233	V' Belt for 660 RPM	2			
4-14	97044218	V' Belt for 960 RPM	2			
4-15	97044549	Belt Guard	1			
4-16	97044101	Slide Rail 12"	2			
4-17	97042295	Distance Piece Belt Guard	2			
OPTIONAL EQUIPMENT						
4-18	97045595	Watercooled Aftercooler	1			
4-18	97045603	Watercooled Aftercooler with Moisture Seperator	1			
4-19	RIN300534	Aircooled Aftercooler	1			
4-20	156A12XPS15B	Super Pressure Switch 100-213P	1			1
4-20	IPS400	Pressure Switch H.P	1			1
REF	48XXA1AL	Aux Valve For C.S.C	1			
REF	30673347	Spring Aux Valve	1	1	1	1
REF	WIN300579T2	Bolt Foundation 1/2"	4			